

S.R. SMITH - ASSORTED

S.R. SMITH FIBER-DIVE DIVING BOARDS
(Acrylic with two wood runners)

<u>CATALOG #</u>	<u>MFG#</u>	<u>DESCRIPTION</u>
066-209-0266	66-209-266-2	6 FT. x 18" BOARD WITH HARDWARE
066-209-0268	66-209-268-2	8 FT. x 18" BOARD WITH HARDWARE
066-209-0270	66-209-270-2	10 FT. x 18" BOARD WITH HARDWARE

S.R. SMITH FRONTIER III DIVING BOARDS
(Acrylic w/solid wood core and flexible sides)

066-209-0596	66-209-596-2	6 FT. x 18" BOARD WITH HARDWARE
066-209-0598	66-209-598-2	8 FT. x 18" BOARD WITH HARDWARE
066-209-5600	66-209-600-2	10 FT. x 18" BOARD WITH HARDWARE
066-209-5602	66-209-602-2	12 FT. x 18" BOARD WITH HARDWARE

S.R. SMITH GLAS-HIDE DIVING BOARDS
(Acrylic w/solid laminated wood core)

066-209-0206	66-209-206-2	6 FT. x 18" BOARD WITH HARDWARE
066-209-0208	66-209-208-2	8 FT. x 18" BOARD WITH HARDWARE
066-209-0210	66-209-210-2	10 FT. x 18" BOARD WITH HARDWARE
066-209-0212	66-209-212-2	12 FT. x 18" BOARD WITH HARDWARE

S.R. SMITH COMMERCIAL DIVING BOARDS

(Acrylic w/solid laminated wood core and reinforced at fulcrum)

066-209-0220	66-209-220-2	10 FT. x 18" BOARD WITH HARDWARE
066-209-0222	66-209-222-2	12 FT. x 18" BOARD WITH HARDWARE
066-209-0224	66-209-224-2	14 FT. x 20" BOARD WITH HARDWARE
066-209-0226	66-209-226-2	16 FT. x 20" BOARD WITH HARDWARE

S.R. SMITH ALUMINUM DIVING BOARDS

(Extrusion glued and welded together)

066-209-0308	66-209-308-2	8 FT. x 18" BOARD WITH HARDWARE
066-209-0310	66-209-310-2	10 FT. x 18" BOARD WITH HARDWARE
066-209-0312	66-209-312-2	12 FT. x 18" BOARD WITH HARDWARE
066-209-0314	66-209-314-2	14 FT. x 20" BOARD WITH HARDWARE
066-209-0316	66-209-316-2	16 FT. x 20" BOARD WITH HARDWARE

S.R. SMITH STEEL METER DIVING STANDS

(Mounting jig & fulcrum pad included)

<u>CATALOG #</u>	<u>MFG#</u>	<u>DESCRIPTION</u>
	70-209-501	1/2 METER STAND FOR 8' BOARDS
070-209-9502	70-209-502	1/2 METER STAND FOR 10' BOARDS
070-209-9510	70-209-510	3/4 METER STAND FOR 10' BOARDS
070-209-9512	70-209-512	3/4 METER STAND FOR 12' BOARDS
070-209-9520	70-209-520	1 METER STAND FOR 10' BOARDS
070-209-9522	70-209-522	1 METER STAND FOR 12' BOARDS
071-209-9541	71-209-541	JIG ONLY
071-209-9542	71-209-542	1/2 METER STAND BOLT KIT
071-209-9543	71-209-543	3/4 AND 1 METER STAND BOLT KIT
067-209-9544	71-209-544	FULCRUM KIT

S.R. SMITH STEEL METER DIVING STAND HANDRAILS

(NSPI Standards require handrails on all 1 meter diving stands)

071-209-9550	71-209-550	HANDRAILS FOR 8' BOARDS (1 PAIR)
071-209-9551	71-209-551	HANDRAILS FOR 10' BOARDS (1 PAIR)
071-209-9552	71-209-552	HANDRAILS FOR 12' BOARDS (1 PAIR)
071-209-9561	71-209-561	HANDRAIL BOLT KIT

**S.R. SMITH "CANTILEVER JUMP STAND"
COMPONENTS & HARDWARE***(MUST ORDER BOARD W/HARDWARE AND CORRESPONDING SPRING
ASSEMBLY AND BASE W/JIG TO MAKE COMPLETE "CANTILEVER JUMP STAND")

066-209-0206	66-209-206-2	6 FT. GLAS-HIDE BOARD W/HARDWARE
066-209-0208	66-209-208-2	8 FT. GLAS-HIDE BOARD W/HARDWARE
066-209-0596	66-209-596-2	6 FT. FRONTIER III BOARD W/HARDWARE
066-209-0598	66-209-598-2	8 FT. FRONTIER III BOARD W/HARDWARE
067-209-1026	69-209-026	6 FT. STEEL BASE SPRING ASSEMBLY
067-209-1028	69-209-028	8 FT. STEEL BASE SPRING ASSEMBLY
067-209-1009	69-209-009	FIBERGLASS BASE WITH JIG
067-209-1001	69-209-001	STEEL BASE WITH JIG
067-209-1007	69-209-007	FIBERGLASS BASE JIG (14" CENTER)
067-209-1006	69-209-006	STEEL BASE JIG (12" CENTER)
067-209-1019	69-209-019	STEEL BASE SPRING BOLT KIT
067-209-1022	69-209-022	FIBERGLASS BASE BOLT KIT
067-209-1021	69-209-021	STEEL BASE BOLT KIT

S.R. SMITH "FRONTIER II" COMPONENTS & HARDWARE*(MUST ORDER BOARD W/HARDWARE AND CORRESPONDING SPRING
W/JIG TO MAKE COMPLETE "FRONTIER II" DIVE STAND)

067-209-5586	66-209-586-2	6 FT. BOARD W/HARDWARE
067-209-5588	66-209-588-2	8 FT. BOARD W/HARDWARE
067-209-5866	69-209-5866	6 FT. SPRING W/JIG
067-209-5888	69-209-5888	8 FT. SPRING W/JIG
067-209-5227	69-209-227	JIG ONLY
067-209-5032	69-209-032	MOUNTING KIT
067-209-5033	69-209-033	BOLT KIT

S.R. SMITH - ASSORTED

S.R. SMITH "FLYTE-DECK" COMPONENTS & HARDWARE**
(MUST ORDER BOARD W/HARDWARE AND CORRESPONDING STAND
W/JIG TO MAKE COMPLETE "FLYTE-DECK" DIVE STAND

CATALOG #	MFG#	DESCRIPTION
066-209-0266	66-209-266-2	6 FT. FIBER-DIVE BOARD W/HARDWARE
066-209-0268	66-209-268-2	8 FT. FIBER-DIVE BOARD W/HARDWARE
066-209-0270	66-209-270-2	10 FT. FIBRE-DIVE BOARD W/HARDWARE
067-209-4706	70-209-7362	6 FT. STAND W/JIG
067-209-4708	70-209-7382	8 FT. STAND W/JIG
067-209-4710	70-209-7402	10 FT. STAND W/JIG
067-209-4700	71-209-700	6 FT. JIG
067-209-4702	71-209-704	8 FT. JIG
067-209-4703	71-209-703	10 FT. JIG
067-209-4711	71-209-710	BASE BOLT KIT

S.R. SMITH MOUNTING KITS

067-209-9911	67-209-911	RESIDENTIAL - W/1/2" x 5" CARRIAGE BOLTS
067-209-9903	67-209-903	COMM. - FOR 18" BOARD W/1/2" x 5-1/2" CARR. BOLTS
067-209-9904	67-209-904	COMM. - FOR 20" BOARD W/1/2" x 5-1/2" CARR. BOLTS

S.R. SMITH MOUNTING PARTS

067-209-9820	01-820	ALUMINUM MOUNTING PLATE 18" (TOP)
067-209-9821	01-821	ALUMINUM MOUNTING PLATE 18" (BOTTOM)
067-209-9822	01-822	ALUMINUM MOUNTING PLATE 20" (TOP)
067-209-9823	01-823	ALUMINUM MOUNTING PLATE 20" (BOTTOM)
067-209-9916	08-501	RUBBER MOUNTING PAD 18"
067-209-9917	08-506	RUBBER MOUNTING PAD 20"
067-209-9928	71-209-545	FIBERGLASS STANDARD FULCRUM KIT
067-209-9930	FC100A	FULCRUM COVER
067-209-1508	05-618	CANT PLASTIC NUT CAP, WHITE

S.R. SMITH MOUNTING BOLTS
(1/2" with lock washer & nut)

067-209-9129	71-209-907	1/2" X 3" STEP BOLT
067-209-9124	71-209-908	1/2" X 5" CARRIAGE BOLT
067-209-9125	71-209-909	1/2" X 5-1/2" CARRIAGE BOLT

REPAIR KITS

067-209-9924	67-209-9242	MINOR DAMAGE
067-209-9927	67-209-9272	SAND TREAD
075-209-9869	75209-5869	EPOXY KIT WITH 3-5/8" BOLTS
075-209-9868	75209-5868	EPOXY KIT WITH 4-1/2" BOLTS

CONFER POOL LADDERS

CATALOG #	MFG#	DESCRIPTION
062-380-0036	#36A	36" A-FRAME LADDER
062-380-7100	7100B	"NEW EVOLUTION" A-FRAME LADDER
062-380-00052	635-52	DELUXE "IN-POOL" LADDER

DOTLINE A/G POOL LADDER PARTS

063-362-0530	SPL-3	LADDER STEP - THRU HOLE FOR ROUND/SQUARE TUBING
063-362-0474	FL-2	DECK FLANGES - 1-1/2" ROUND (PAIR)
063-362-0516	PC-150	END CAPS, 1-1/2" ROUND (PAIR)
063-362-0525	SQI-150	INSERTS, 1-1/2" SQUARE (PAIR)

INNOVAPLAS A/G LADDERS & STEPS

062-621-7000	7000	A-FRAME LADDER (WET SIDE - PIECE 1 OF 2)
062-621-6001	6001	A-FRAME LADDER (DRY SIDE - PIECE 2 OF 2)
062-621-7000	7000	DECK LADDER (WET SIDE - PIECE 1 OF 2)
062-621-0005	0005	DECK LADDER (HANDRAIL WITH DECK ATTACHMENT - PIECE 2 OF 2)
062-621-1004	1004	ELEGANT SAFE LADDER
062-621-1006	1006	LADDER KIT
062-621-1022	1022	LADDER ATTACHMENT KIT
062-621-1005	1005	TUXEDO IN-POOL STEP

PENTAIR IN-WALL STEPS

062-110-4007	82700700	P/T IN-WALL STEPS, WHITE (SET OF 3)
--------------	----------	-------------------------------------

S.R. SMITH I/G POOL LADDERS (S/S)

Ladder frames are fabricated of 1.90" O.D. x .049" S/S wall tube with mirror finish. Bends are 6" radius. Frame extends from wall 6-1/2". Lower ends of frames shall be bent to meet pool wall and fitted with bumpers. (Order anchors and escutcheons separately.)

062-209-2422	RLF-24E-2A	2 TREAD ECONOLINE LADDER
062-209-2432	RLF-24E-3B	3 TREAD ECONOLINE LADDER
062-209-2431	RLF-24S-3B	3 TREAD ELITE LADDER
062-209-2442	RLF-24E-4C	4 TREAD ECONOLINE LADDER

S.R. SMITH RESIDENTIAL 24" LADDER - I/G VINYL

062-209-1022	VLLS-102E	2 TREAD ECONOLINE LADDER
062-209-1021	VLLS-102S	2 TREAD ELITE LADDER
062-209-1032	VLLS-103E	3 TREAD ECONOLINE LADDER

S.R. SMITH I/G POOL LADDER PARTS

063-209-5101	LTFD-101	ECONOLINE LADDER TREAD PLASTIC
063-209-5103	LTFD-103	ELITE LADDER TREAD S/S
063-555-0030	A42077-0	LADDER TREAD, 18" HIGH IMPACT PVC
063-555-0034	2020049	LADDER BOLT, 3/8" x 2-1/2"
063-555-0015	WRB-101A	LADDER RUBBER BUMPER - CAP
063-209-1001	WRB-100A	WHITE RUBBER LADDER BUMPER - PLUG
063-209-0702	60-702	LADDER BOLT, WASHER AND NUT 2-1/2"
063-209-0704	60-704	LADDER BOLT, WASHER AND NUT 3-1/2"
063-209-4307	AS100D	BRONZE ANCHOR, 6"

S.R. SMITH "GRAND RAPIDS" SLIDE

(Acrylic slide designed with right or left curves.
The slide peaks at 8'2" and is stocked in Marine Blue
or White. Other colors available by special order.
Call for details)

<u>CATALOG #</u>	<u>MFG#</u>	<u>DESCRIPTION</u>
075-209-5813	1352095813	RIGHT CURVED RUNWAY ONLY - MARINE BLUE
075-209-5823	1352095823	LEFT CURVED RUNWAY ONLY - MARINE BLUE
075-209-5812	1352095812	RIGHT CURVED RUNWAY ONLY - WHITE
075-209-5822	1352095822	LEFT CURVED RUNWAY ONLY - WHITE
075-209-9589	1352095891	LADDER & PARTS CARTON

S.R. SMITH SLIDE ACCESSORIES & PARTS

075-209-9079	69-209-079	SRS "GRAND RAPIDS" HOSE KIT - COMPLETE
075-209-9589	135295891	"GRAND RAPIDS" LDR/PARTS CARTON
075-209-5000	75-2095000	SLIDE FLANGE, ALUMINUM (EACH)
075-209-9037	69-209-037	RING HOSE CONNECTOR
075-209-9039	69-209-039	TOP SPRAY NOZZLE W/TEE, 70 DEGREE
075-209-9040	69-209-040	BOTTOM SPRAY NOZZLE, 55 DEGREE
075-209-9041	69-209-041	HOSE KIT COMPLETE W/NOZZLE
075-209-9601	02-601	POLY TUBING (per ft.)
075-209-9603	05-603	SPRAY NOZZLE HEAD, 70 DEGREE
075-209-9604	05-623	SPRAY NOZZLE HEAD, 55 DEGREE
075-209-9623	05-604	SLIDE FLANGE (EACH)
075-209-9864	75-209-5864	SLIDE FLANGE HARDWARE (EACH)
075-209-9865	75-209-5865	DECK ANCHOR FLANGE KIT W/BOLTS
075-209-9868	75-209-5868	EPOXY KIT W/4 1/2" BOLTS
075-209-9869	75-209-5869	EPOXY KIT W/4 5/8" BOLTS
075-209-9870	75-209-5870	OFFSET LEG & BRACE KIT

MECHANICAL LIFTS**LIFEGUARD LIFT**

<u>CATALOG #</u>	<u>MFG#</u>	<u>DESCRIPTION</u>
062-721-0201	20A	POOL LIFT W/SLEEVE
063-721-0211	21A	SLEEVE ANCHOR

S.R. SMITH DECK MOUNTED STAIR RAILS

(Handrails are fabricated of 1.90" O.D. x .049" S/S wall tube with mirror finish. Order anchors and escutcheons separately.)

<u>CATALOG #</u>	<u>MFG#</u>	<u>DESCRIPTION</u>
062-209-1001	DMS-100A	30" x 51" STANDARD HANDRAIL
062-209-1002	DMS-101A	32" x 48" STANDARD HANDRAIL
062-209-1004	DMS-102A	32" x 54" ANGLE HANDRAIL
062-209-1006	DMS-103A	32" x 54" STANDARD HANDRAIL

S.R. SMITH STANDARD HANDRAILS

(Handrails are fabricated of 1.90" O.D. x .049" S/S wall tube with mirror finish. Order anchors and escutcheons separately.)

062-209-4049	2HR-4-049	48" S/S HANDRAIL (2-BEND)
062-209-5049	2HR-5-049	60" S/S HANDRAIL (2-BEND)
062-209-6049	2HR-6-049	72" S/S HANDRAIL (2-BEND)
062-209-3404	3HR-4-049	48" S/S HANDRAIL (3-BEND)
062-209-3504	3HR-5-049	60" S/S HANDRAIL (3-BEND)
062-209-3604	3HR-6-049	72" S/S HANDRAIL (3-BEND)

S.R. SMITH RESIDENTIAL RING HANDRAILS

Handrails are fabricated of 1-5/8" O.D. x .049" - S/S wall tube with mirror finish. (Order double anchor assembly separately)

062-209-0100	RRH-100	HANDRAILS ONLY (PAIR)
--------------	---------	-----------------------

S.R. SMITH COMMERCIAL RING HANDRAILS

Handrails are fabricated of 1-5/8" O.D. x .065" - S/S wall tube with mirror finish.

062-209-0201	CHR-100B	HANDRAILS W/BRONZE ANCHORS AND S/S ESCUTCHEONS
--------------	----------	--

S.R. SMITH FIGURE 4 HANDRAILS

Handrails are fabricated of 1.90" O.D. x .049" wall tube with mirror finish. (Order anchors and escutcheons separately.)

062-209-4100	F4H-101	HANDRAILS (PAIR)
--------------	---------	------------------

S.R. SMITH SPA RAIL

Spa rail is fabricated of 1-5/8" O.D. x .049" - S/S wall tube with mirror finish. (A 4" x 10" S/S deck plate is included.)

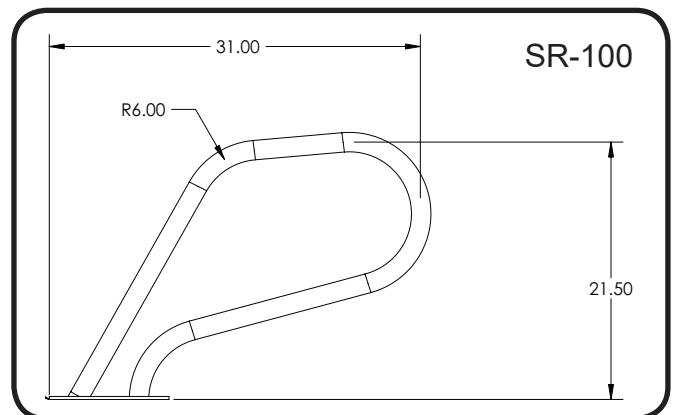
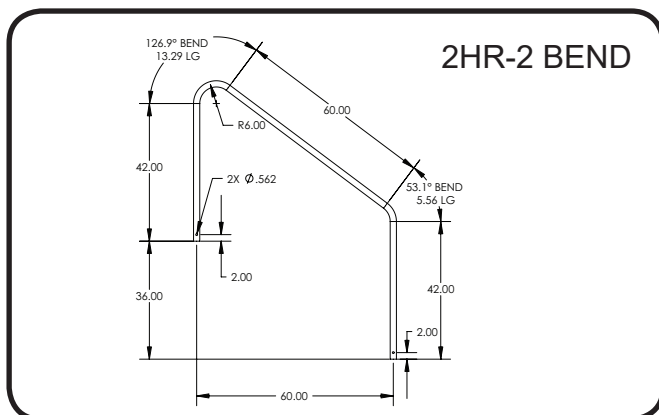
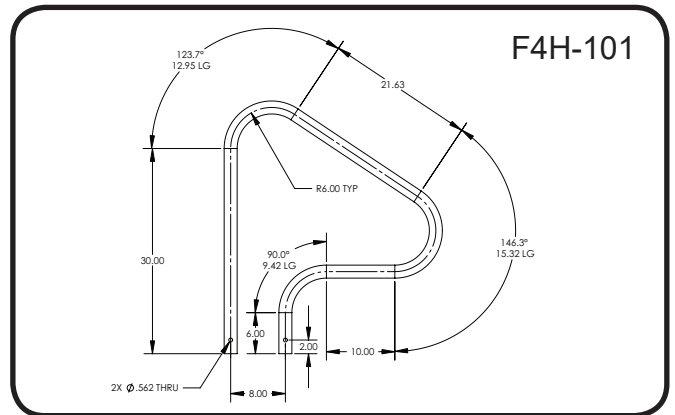
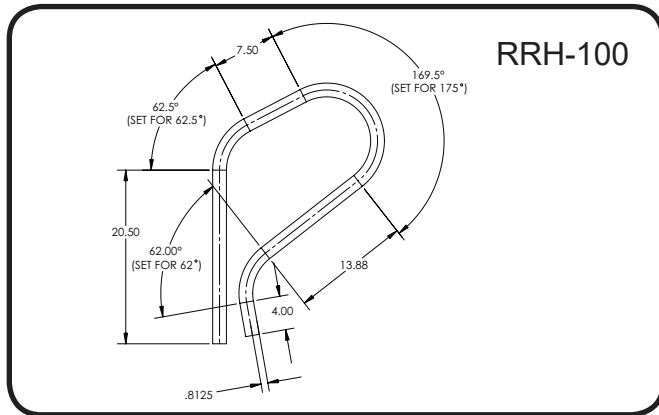
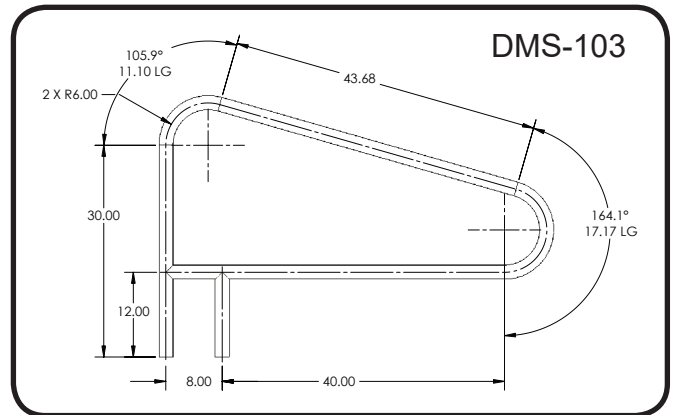
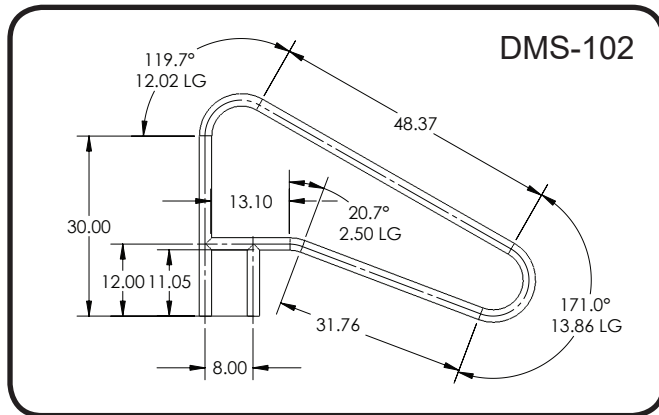
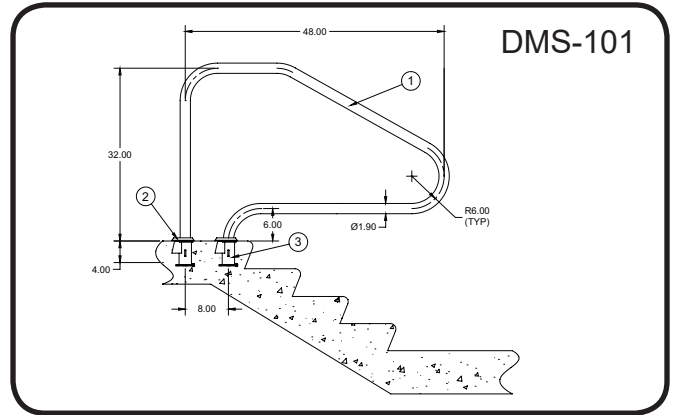
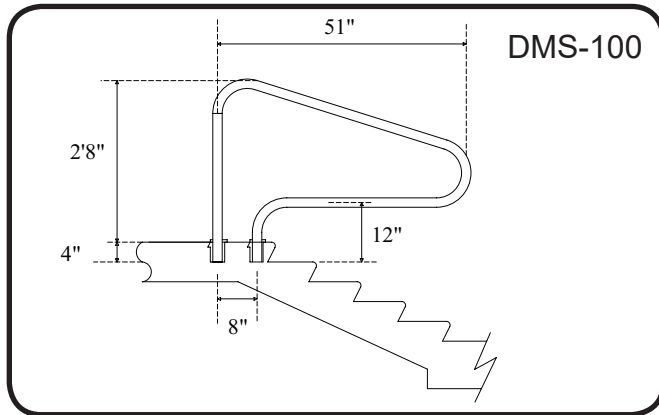
062-209-3100	SR-100	SPA RAIL
--------------	--------	----------

S.R. SMITH GRAB RAILS

062-614-1000	CT3-049	HANDRAILS W/HARDWARE (2)
--------------	---------	--------------------------

HANDRAIL ACCESSORIES

063-209-4305	34-305A	DBL. ANCHOR ASSY, ALUMINUM (FOR 1-5/8" O.D. RAILS / RRH-100)
063-209-4306	34-306A	DBL. ANCHOR ASSY, BRONZE (FOR 1-5/8" O.D. RAILS / RRH-100)
063-209-4100	AS-100A	ANCHOR, ALUMINUM - EACH (1.90" RAILS) - 4"
063-209-4101	AS-100B	ANCHOR, BRONZE - EACH (1.90" RAILS) - 4"
063-812-3019B	PS-3019-B	ANCHOR, BRONZE - EACH - 3"
063-812-4019B	PS-4019-B	ANCHOR, BRONZE - EACH - 4"
063-840-0148	148	CT-3 STABILIZER PLUG (2)
063-840-144A	144-A	STABILIZER PLUG - 1.90"
063-840-144B	144-B	STABILIZER PLUG - 1.875"
063-209-4090	A41494-0	FROST BRONZE WEDGE KIT (FOR BRASS ANCHOR)
063-209-4941	A41494-1	FROST BRONZE WEDGE KIT (FOR ALUMINUM ANCHOR)
063-209-4089	8-409A	SRS BRONZE WEDGE KIT
063-209-4091	8-413	SRS DOUBLE BRONZE WEDGE KIT
063-209-4010	EP-100A	SRS ESCUTCHEON, S/S RD. (FOR 1.90" RAIL)
063-209-4102	8-420	SRS DOUBLE ESCUTCHEON, S/S (FOR 1-5/8" RAIL)
063-150-1042	SP-1042	ESCUTCHEON, C/P CYCOLAC (EACH)
063-555-0150	EP-100F	ESCUTCHEON, S/S (ROUND)
063-209-4012	EP-100P	ESCUTCHEON, PLASTIC



(Regular shape, tie wire method, used on gunite pools, includes tie wire side kit, tile strip and 1 roll of bending tape - 112 ft. per carton)

CATALOG #	MFG#	DESCRIPTION
060-986-0149	1CF000	REGULAR - FORM ONLY
060-986-0150	1CF111	REGULAR - TIE WIRE- NO TILE STRIP
060-986-0151	1CF112	REGULAR - TIE WIRE - WHITE
060-986-0157	1CF122	REGULAR - TIE WIRE - GREY
060-986-0153	1CF132	REGULAR - TIE WIRE - TAN
060-986-0155	1CF162	REGULAR - TIE WIRE - BLACK

(Regular shape, urethane method, used on gunite pools, includes urethane side kit, tear strip and roll of bending tape - 112 ft. per carton)

060-986-0148	120UR	REGULAR - URETHANE - NO TEAR STRIP
060-986-0171	120UR1	REGULAR - URETHANE - WHITE
060-986-0173	120UR2	REGULAR - URETHANE - TAN
060-986-0175	120UR3	REGULAR - URETHANE - BLACK
060-986-0177	120UR5	REGULAR - URETHANE - GREY
060-986-1171	120-1	REGULAR - LESS URETHANE SIDE KIT - WHITE
060-986-1173	120-2	REGULAR - LESS URETHANE SIDE KIT - TAN
060-986-1175	120-3	REGULAR - LESS URETHANE SIDE KIT - BLACK
060-986-1177	120-5	REGULAR - LESS URETHANE SIDE KIT - GREY

(Intermediate shape, tie wire method, used on gunite pools, includes tie wire side kit, tile strip and 1 roll of bending tape - 112 ft. per carton)

060-986-2209	2CF000	INTERMEDIATE - FORM ONLY
060-986-2210	2CF111	INTERMEDIATE - TIE WIRE - NO TILE STRIP
060-986-0162	2CF112	INTERMEDIATE - TIE WIRE - WHITE
060-986-0163	2CF122	INTERMEDIATE - TIE WIRE - GREY
060-986-0164	2CF132	INTERMEDIATE - TIE WIRE - TAN
060-986-0161	2CF162	INTERMEDIATE - TIE WIRE - BLACK

(Intermediate shape, urethane method, used on gunite pools, includes urethane side kit, tear strip and roll of bending tape - 112 ft. per carton)

060-986-2221	220UR	INTERMEDIATE - URETHANE - NO TEAR STRIP
060-986-2216	220UR1	INTERMEDIATE - URETHANE - WHITE
060-986-2214	220UR2	INTERMEDIATE - URETHANE - TAN
060-986-2213	220UR3	INTERMEDIATE - URETHANE - BLACK
060-986-2215	220UR5	INTERMEDIATE - URETHANE - GREY

(Capstone shape, tie wire method, used on gunite pools, includes tie wire side kit, tear strip and 1 roll of bending tape - 112 ft. per carton)

060-986-0901	9CF111	CAPSTONE - TIE WIRE - NO TILE STRIP
060-986-0900W	9CF112	CAPSTONE - TIE WIRE - WHITE
060-986-0900G	9CF122	CAPSTONE - TIE WIRE - GREY
060-986-0900T	9CF132	CAPSTONE - TIE WIRE - TAN
060-986-0900	9CF162	CAPSTONE - TIE WIRE - BLACK
060-986-0899	9CF000	CAPSTONE - FORM ONLY

(Commercial shape, Tie Wire method, used on commercial/residential pools, includes 2 Wire Side Kits, Tile Strip and one roll of Bending Tape - 80 ft. per carton)

CATALOG #	MFG#	DESCRIPTION
060-986-0380	3CF000	COMMERCIAL - FORM ONLY
060-986-3125	3CF111	COMMERCIAL - TIE WIRE - NO TILE STRIP
060-986-3121	3CF80	COMMERCIAL - TIE WIRE - WHITE
060-986-3124	3CF803	COMMERCIAL - TIE WIRE - BLACK
060-986-3122	3CF805	COMMERCIAL - TIE WIRE - GREY
060-986-3123	3CF802	COMMERCIAL - TIE WIRE - TAN

(Commercial shape, Urethane method, used on commercial/residential pools, includes Urethane Side Kit, Tear Strip and one roll of Bending Tape - 80 ft. per carton)

060-986-2231	380UR	COMMERCIAL - URETHANE - NO TEAR STRIP
060-986-0179	380UR1	COMMERCIAL - URETHANE - WHITE
060-986-0178	380UR2	COMMERCIAL - URETHANE - TAN
060-986-0179B	380UR3	COMMERCIAL - URETHANE - BLACK
060-986-0178G	380UR5	COMMERCIAL - URETHANE - GREY

(Vinyl Liner - 112 ft. per carton complete with Liner Track, Bending Tape and Self-Tapping Screws.)

060-986-0147	8CF1000	CAPSTONE, CLIP-LOC
060-986-0147R	8CF1001	REGULAR, CLIP-LOC

(Fiber-Optics / Gunitite Pools, 112 ft. per carton complete with Fiber-Optic Receiver and Tie Wire Kit. Fits Fiberstars FSEO, FSSB and Supervision SV21)

060-986-0146F	17FS112	FIBER-OPTIC REGULAR - F
060-986-0146	7FS112	FIBER-OPTIC CAPSTONE - F
060-986-0146A	17AP112	FIBER-OPTIC REGULAR (FOR FIBERWORKS)
060-986-0112	77AP112	FIBER-OPTIC CAPSTONE (FOR FIBERWORKS)

(Pool Cover shape, Urethane method, used on gunitite pools, includes Urethane Kit, Tear Strip, 1.75" extension strip and one roll of Bending Tape - 104 ft. per carton)

060-986-4041	404UR1	POOL COVER - URETHANE - WHITE
060-986-4043	404UR2	POOL COVER - URETHANE - TAN
060-986-4042	404UR3	POOL COVER - URETHANE - BLACK
060-986-4045	404UR5	POOL COVER - URETHANE - GREY

(Pool Cover shape, Tie Wire method, used on gunitite pools, includes Tie Wire Side Kit, Tile Strip, 1.75" extension strip and one roll of Bending Tape - 112 ft. per carton)

060-986-4161	4CF112	POOL COVER - TIE WIRE - WHITE
060-986-4164	4CF122	POOL COVER - TIE WIRE - GREY
060-986-4163	4CF132	POOL COVER - TIE WIRE - TAN
060-986-4162	4CF162	POOL COVER - TIE WIRE - BLACK

<u>CATALOG #</u>	<u>MFG#</u>	<u>DESCRIPTION</u>
060-986-0130	17CF000	SANDSTONE (FORM ONLY), 80 FT./CARTON
<i>(For cantilevered edge extension)</i>		
060-986-6999	6CF999	1" EXTENDER STRIP - 8 FT. PCS. - 480 FT./CARTON
060-986-7999	7CF999	1.75" EXTENDER STRIP - 8 FT. PCS. - 240 FT./CARTON
ACCESSORIES		
060-986-0176	CFA001	TIE WIRE SIDE KIT (100 WIRES/100 NAILS/1 ROLL TAPE)
060-986-0250	TIEWIRE	TIE WIRE BUNDLE (100 WIRES)
060-986-0260	BENDTAPE	BENDING TAPE
060-986-0251	NAILSBAG	NAILS (100 NAILS)
060-986-0400	CFA013	URETHANE SIDE KIT (2 AGENTS/2 BASE/3 APP/1 TAPE)
060-986-7101	TILE-B	TILE STRIP, CANTILEVER - 8 FT. PCS. - 112 FT./CARTON, BLACK
060-986-7013	TEAR-G	TEAR STRIP, GREY - 8 FT. PCS. - 112 FT./CARTON
060-986-7010	TEAR-T	TEAR STRIP, TAN - 8 FT. PCS. - 112 FT./CARTON
060-986-7011	TEAR-B	TEAR STRIP, BLACK - 8 FT. PCS. - 112 FT./CARTON
060-986-7012	TEAR-W	TEAR STRIP, WHITE - 8 FT. PCS. - 112 FT./CARTON
060-986-7102	TILE-G	TILE STRIP, GREY - 8 FT. PCS. - 112 FT./CARTON
060-986-7103	TILE-W	TILE STRIP, WHITE - 8 FT. PCS. - 112 FT./CARTON
060-986-REG6	REG6	REGULAR FORM TOOL
060-986-INT6	INT6	INTERMEDIATE FORM TOOL
060-986-0290	TL006	DUAL WALKING EDGER

MISC. PRODUCTS

060-986-0001	SELIG001	ADHESIVE REMOVER
060-986-7000	FBGL-W	PLUMB STRIP, 112 FT. - STRAIGHT
060-986-7001	FBGLW-FLEX	PLUMB STRIP, 112 FT. - FLEX
060-986-9005	1STP40	REGULAR STEP LINER - 40 FT.
060-986-9006	2STP40	INTERMEDIATE STEP LINER - 40 FT.
060-986-9004	9STP40	CAPSTONE STEP LINER - 40 FT.
060-986-0190	MS007	SLIP-N-JOIN LUMBER, 12' X 12 PCS. (144/CTN)
060-986-0191	MS009	SLIP-N-JOIN COUPLERS, 12/CARTON
060-986-5002	MS002	SKIMMER LID EXTENDER, REUSABLE STYROFOAM
060-986-7201	TRENIW	RENOVATION TILE STRIP, 8 FT. - WHITE

Poli-Void

(Expansion material used against coping, brick or existing slab.)

060-986-0193	PV11B	POLI-VOID, 1/4" X 1-1/2" X 120'
060-986-0192	PV12B	POLI-VOID, 1/4" X 3" X 120'
060-986-0199	PV13B	POLI-VOID, 1/2" X 1-1/2" X 60'
060-986-0194	PV14B	POLI-VOID, 1/2" X 3" X 60'

Pour-A-Lid

(Pour-A-Lid skimmer cover for new construction)

060-984-0200	202 PAL-CLR	6", CLEAR
060-984-0201	202 PAL-GRY	6", GREY
060-984-0202	202 PAL-TAN	6", TAN
060-984-1002	201 PAL-CLR	10", CLEAR
060-984-1004	201 PAL-GRY	10", GREY
060-984-1003	201 PAL-TAN	10", TAN

EXPANSION JOINT

(240 ft. per carton 12 ft. lengths)

<u>CATALOG #</u>	<u>MFG#</u>	<u>DESCRIPTION</u>
060-986-0187	SDJ1W	FRONTIER DECK JOINT, WHITE
060-986-0183	SDJ1T	FRONTIER DECK JOINT, TAN
060-986-0185	SDJ1G	FRONTIER DECK JOINT, GREY
060-986-0181	SDJ1B	FRONTIER DECK JOINT, BLACK
060-986-0188	RDJ1W	RIGID DECK JOINT, WHITE
060-986-0186	RDJ1T	RIGID DECK JOINT, TAN
060-986-0180	RDJ1B	RIGID DECK JOIN, BLACK

NOSE CAPS

(Provide joint extension to control cracks on the cantilevered deck face - 100 per carton)

060-986-0201	1NC1	REGULAR, WHITE
060-986-0203	1NC2	REGULAR, BLACK
060-986-0205	1NC3	REGULAR, TAN
060-986-0207	1NC6	REGULAR, GREY
060-986-0211	2NC1	INTERMEDIATE, WHITE
060-986-0213	2NC2	INTERMEDIATE, BLACK
060-986-0215	2NC3	INTERMEDIATE, TAN
060-986-0217	2NC6	INTERMEDIATE, GREY
060-986-3001	3NC1	COMMERCIAL, WHITE
060-986-3002	3NC2	COMMERCIAL, BLACK
060-986-3003	3NC3	COMMERCIAL, TAN
060-986-3004	3NC6	COMMERCIAL, GREY
060-986-0401	4NC2	POOL COVER, BLACK
060-986-0401G	4NC6	POOL COVER, GREY
060-986-0401T	4NC3	POOL COVER, TAN
060-986-0401W	4NC1	POOL COVER, WHITE
060-986-9001	9NC1	CAPSTONE, WHITE
060-986-9002	9NC2	CAPSTONE, BLACK
060-986-9003	9NC3	CAPSTONE, TAN
060-986-9010	9NC6	CAPSTONE, GREY

FRONTIER DECK DRAINS

(10 ft. lengths - Nondirectional system with removable top for easy cleaning. Includes 80 ft. base, 80 ft. Top Cap, 4 end adapters and 8 couplers.)

060-986-0145	SWWD	WHITE
060-986-0142	SDDT	TAN
060-986-0143	SDDG	GREY
060-986-0141	Sddb	BLACK
060-986-0101	BASE	BASE ONLY, 80 FT. PER CARTON
060-986-0111	SDD-TCB-80	BLACK - TOP CAP ONLY
060-986-0113	SDD-TCG-80	GREY - TOP CAP ONLY
060-986-0115	SDD-TCT-80	TAN - TOP CAP ONLY
060-986-0117	SDD-TCW-80	WHITE - TOP CAP ONLY

SUPER DRAIN

(Round drain design, 80 ft. per case/Accepts 1-1/2" PVC)

060-986-0421	SRW	WHITE
060-986-0422	SRG	GREY
060-986-0423	SRT	TAN

CHANNEL DRAIN

(Nondirectional drainage system. 80 ft. per carton including 8 couplers and 4 end adaptors. 10 ft. lengths)

<u>CATALOG #</u>	<u>MFG#</u>	<u>DESCRIPTION</u>
060-986-0321	CD3W	CHANNEL DRAIN, WHITE
060-986-0323	CD3T	CHANNEL DRAIN, TAN
060-986-0322	CD3G	CHANNEL DRAIN, GREY
060-986-0320	CD3B	CHANNEL DRAIN, BLACK

DECK DRAIN FITTINGS

(Sold In Carton Quantity Only)

060-986-0324	CD9W	90-DEGREE ANGLE, (10 PER CARTON), WHITE
060-986-0325	CD4W	45-DEGREE ANGLE, (10 PER CARTON), WHITE
060-986-0326	CDTW	TEE, (4 PER CARTON), WHITE
060-986-0105	DEA	END ADAPTER, (4 PER CARTON)
060-986-0106	DEP	END PLUG, (10 PER CARTON)
060-986-0329	DCUP	COUPLER, (12 PER CARTON)

FRONTIER DESERT DECK

(Produces a durable attractive finish that is ideal for swimming pool decks, patios and other walkways. Mixes with marble sand and white cement)

Fresh Concrete Coverage: 1 Unit = Approx. 300 sq. ft.

Existing Concrete Coverage: 1 Unit = Approx. 250 sq. ft.)

(8 units/bags (25-30 lb) per carton. Coverage 300 to 350 sq. ft. per unit.

CATALOG #	MFG#	DESCRIPTION
060-986-0223	FD105C	LITE SAND BUFF
060-986-0221	FD110C	REGULAR SAND BUFF
060-986-0222	FD115C	DARK SAND BUFF
060-986-0229	FD120C	DOVE GREY
060-986-0227	FD125C	LITE DOVE GREY
060-986-0226	FD135C	COLORADO GOLD
060-986-0224	FD140C	CORAL PEACH
060-986-0225	FD145C	BUCKSKIN
060-986-0219	FD155C	ROSE PINK
060-986-0230	FD160C	GOLDEN SAND
060-986-0220	FD165C	WHITE

TOUCH UP KIT

(1/2 gallon pail. Coverage 8-10 sq. ft.)

060-986-1005	TU105BK	LITE SAND BUFF
060-986-1010	TU110BK	REGULAR SAND BUFF
060-986-1015	TU115BK	DARK SAND BUFF
060-986-1020	TU120BK	DOVE GREY
060-986-1025	TU125BK	LITE DOVE GREY
060-986-1035	TU135BK	COLORADO GOLD
060-986-1040	TU140BK	CORAL PEACH
060-986-1045	TU145BK	BUCKSKIN
060-986-1065	TU160BK	WHITE

MISCELLANEOUS

086-986-9603	FS96MP-G	FRONTIER SEAL, 96 OZ CAN, GRAY
086-986-9607	FS96MP-T	FRONTIER SEAL, 96 OZ CAN, TAN
086-986-9608	FS96MP-W	FRONTIER SEAL, 96 OZ CAN, WHITE
060-986-0300	TL001	DASH BRUSH
060-986-0280	TL003	FDD WALKING TROWEL, 18"
060-986-0270	TL004	FDD WALKING TROWEL, 24"
060-986-0602	RD2B	RE-COVER DRAIN, BLACK, 8'
060-986-0603	RD2G	RE-COVER DRAIN, GREY, 8'
060-986-0601	RD2T	RE-COVER DRAIN, TAN, 8'
060-986-0600	RD2W	RE-COVER DRAIN, WHITE, 8'
060-986-0502	RS2G	RE-COVER STRIP, GREY, 10' F/JOINT
060-986-0503	RS2T	RE-COVER STRIP, TAN, 10' F/JOINT
060-986-0500	RS2W	RE-COVER STRIP, WHITE, 10' F/JOINT

CUSTOM CASCADES - ASSORTED

<u>CATALOG #</u>	<u>MFG#</u>	<u>DESCRIPTION</u>
080-404-0012	1000-12	12" PLASTIC FALL - STANDARD LIP
080-404-0018	1000-18	18" PLASTIC FALL - STANDARD LIP
080-404-0024	1000-24	24" PLASTIC FALL - STANDARD LIP
080-404-0036	1000-36	36" PLASTIC FALL - STANDARD LIP
080-404-0036G	1000-36G	36" PLASTIC FALL - STANDARD LIP (GRAY)
080-404-0048	1000-48	48" PLASTIC FALL - STANDARD LIP
080-404-0048G	1000-48G	48" PLASTIC FALL - STANDARD LIP (GRAY)
080-404-12XL	2000-12XL	12" PLASTIC FALL - 6" LIP
080-404-12XLB	2000-12XLB	12" PLASTIC FALL - 6" LIP (GRAY)
080-404-18XL	2000-18XL	18" PLASTIC FALL - 6" LIP
080-404-18XLB	2000-18XLB	18" PLASTIC FALL - 6" LIP (GRAY)
080-404-24XL	2000-24XL	24" PLASTIC FALL - 6" LIP
080-404-24XLB	2000-24XLB	24" PLASTIC FALL - 6" LIP (GRAY)
080-404-36XL	2000-36XL	36" PLASTIC FALL - 6" LIP
080-404-36XLB	2000-36XLB	36" PLASTIC FALL - 6" LIP (GRAY)
080-404-48XL	2000-48XL	48" PLASTIC FALL - 6" LIP
080-404-48XLB	2000-48XLB	48" PLASTIC FALL - 6" LIP (GRAY)
080-404-60XL	2000-60XL	60" PLASTIC FALL - 6" LIP
080-404-60XLB	2000-60XLB	60" PLASTIC FALL - 6" LIP (GRAY)
080-404-72XL	2000-72XL	72" PLASTIC FALL - 6" LIP
084-404-72XLB	2000-72XLB	72" PLASTIC FALL - 6" LIP (GRAY)
080-404-96XL	2000-96XL	96" PLASTIC FALL - 6" LIP

FOUNTAINS

ASSORTED

<u>CATALOG #</u>	<u>MFG#</u>	<u>DESCRIPTION</u>
080-156-2004	JDJ2004	JANDY DECK JETS (4 PK)
080-156-1001	JLJ1001	JANDY LAMINAR JET WITH JET BOX (.5D)
080-192-6200	FFMJ	POLARIS MINI JET W/NOZZLE
080-192-1110	11-100-00	WATERSTARS WATERFALL FOUNTAIN
080-192-7400	7-400-00	WATERSTARS WATERFALL FOUNTAIN (NO LIGHT)